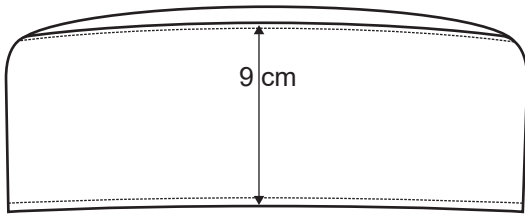
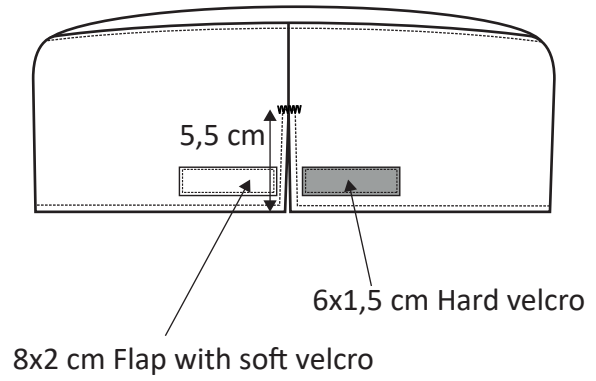


**Detail sketch with how to measure**

Front:



Back:



Top of hat

