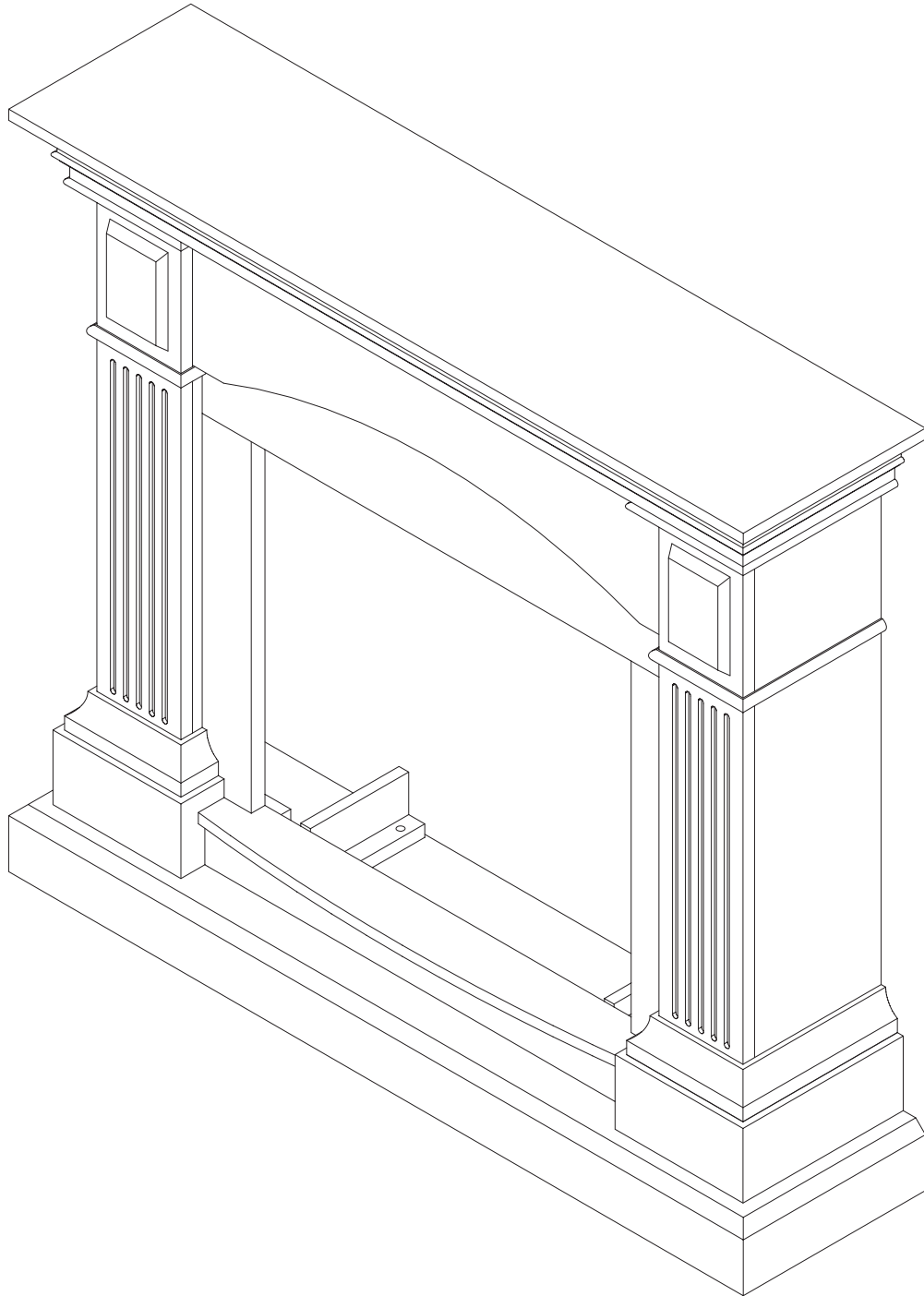
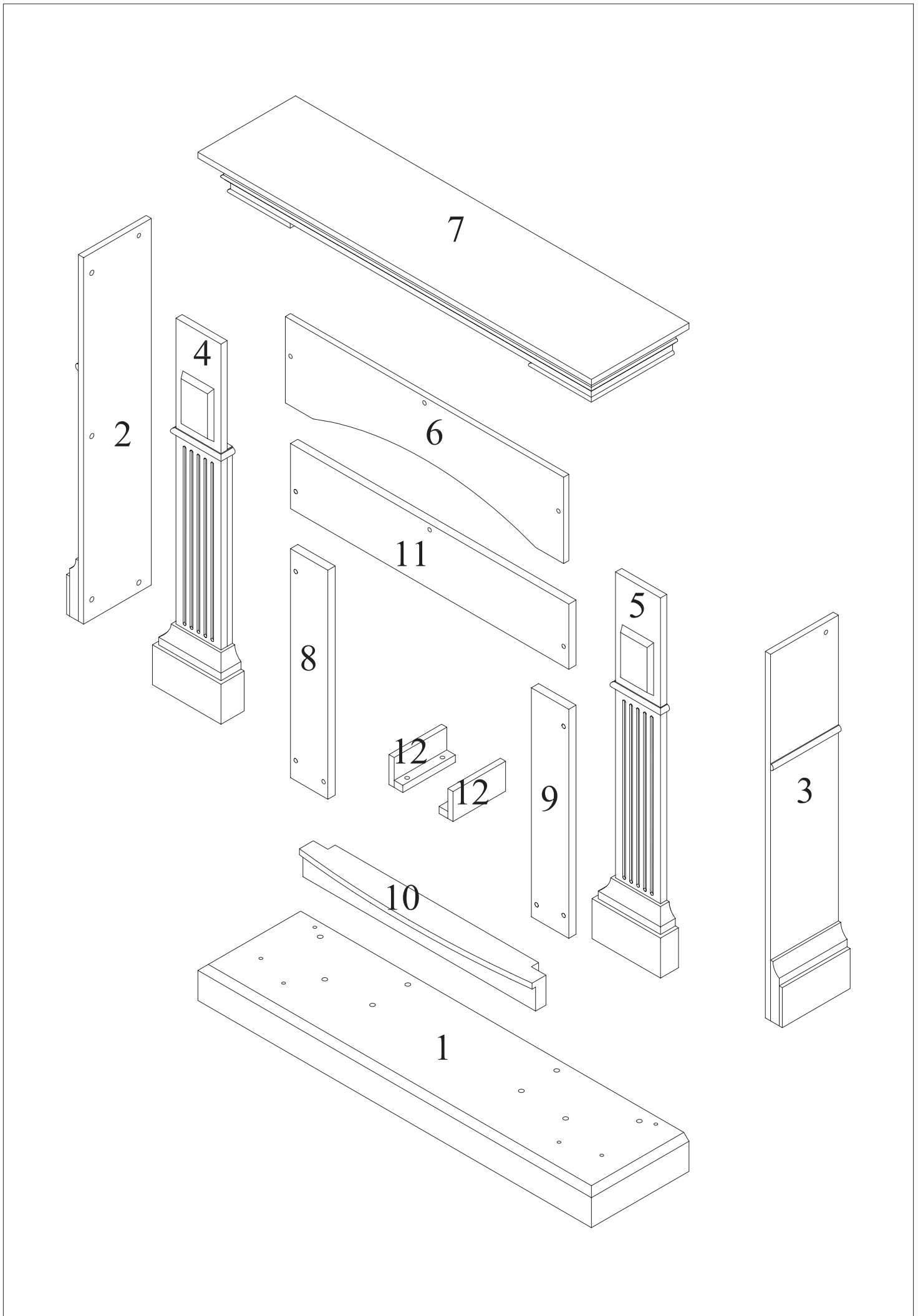
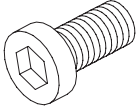
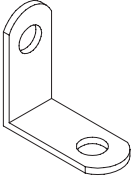
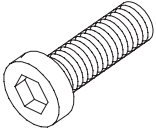
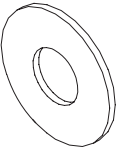
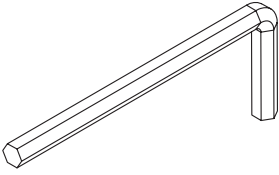
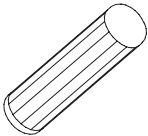


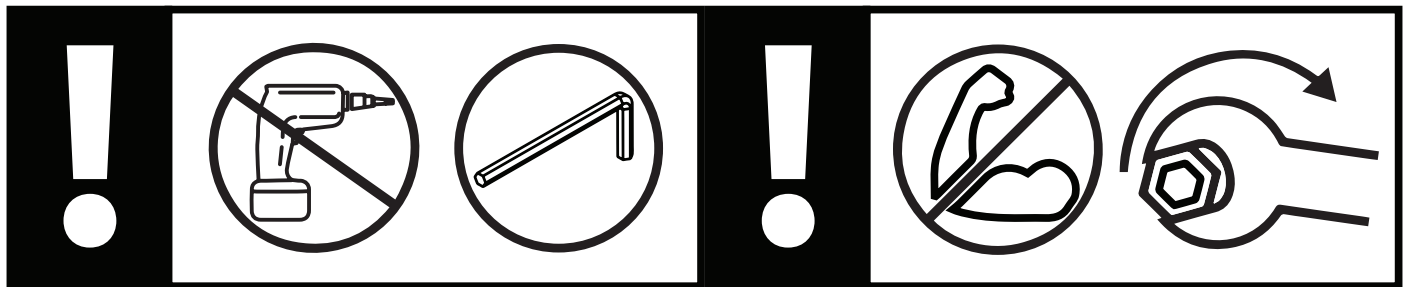
MAGNA

FM464

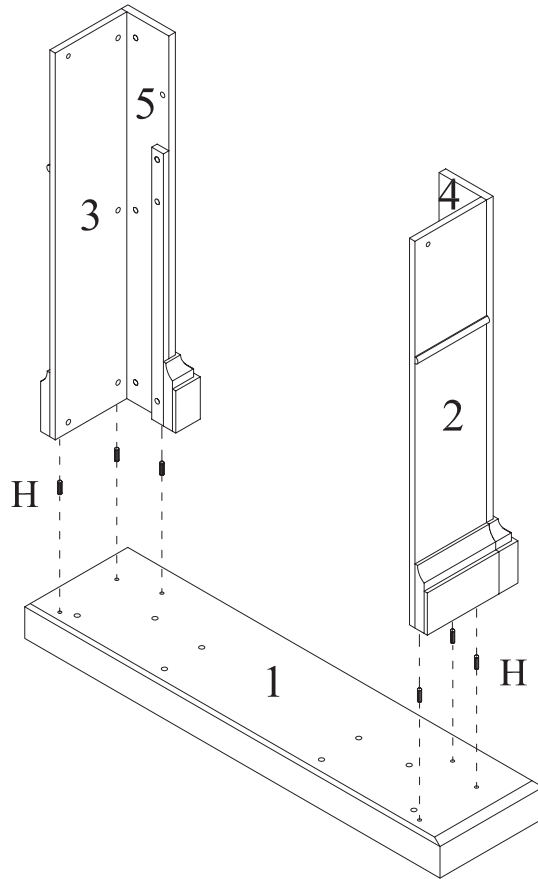




<p>A</p>  <p>Ø6 x 12mm x20</p>	<p>B</p>  <p>x 10</p>	<p>C</p>  <p>Ø6 x 28mm x 18</p>
<p>D</p>  <p>x 18</p>	<p>E</p>  <p>x 1</p>	<p>H</p>  <p>Ø8 x 30mm x 6</p>



1



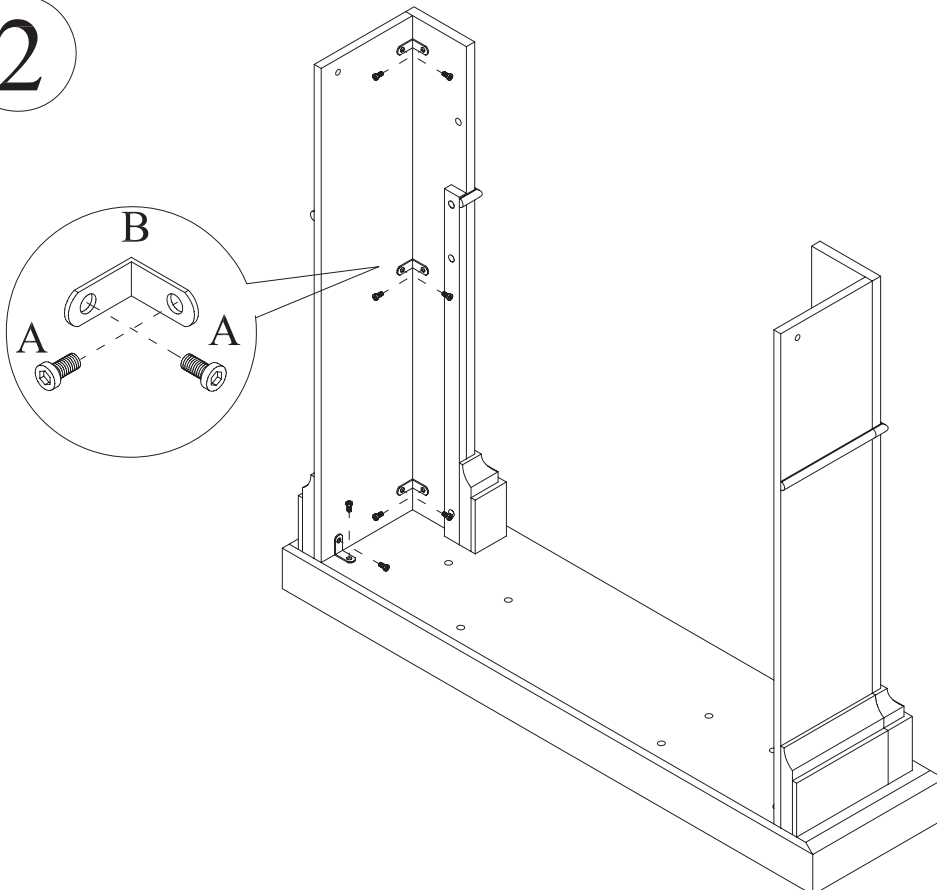
H



Ø8 x 30mm

x 6

2



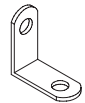
A



Ø6 x 12mm

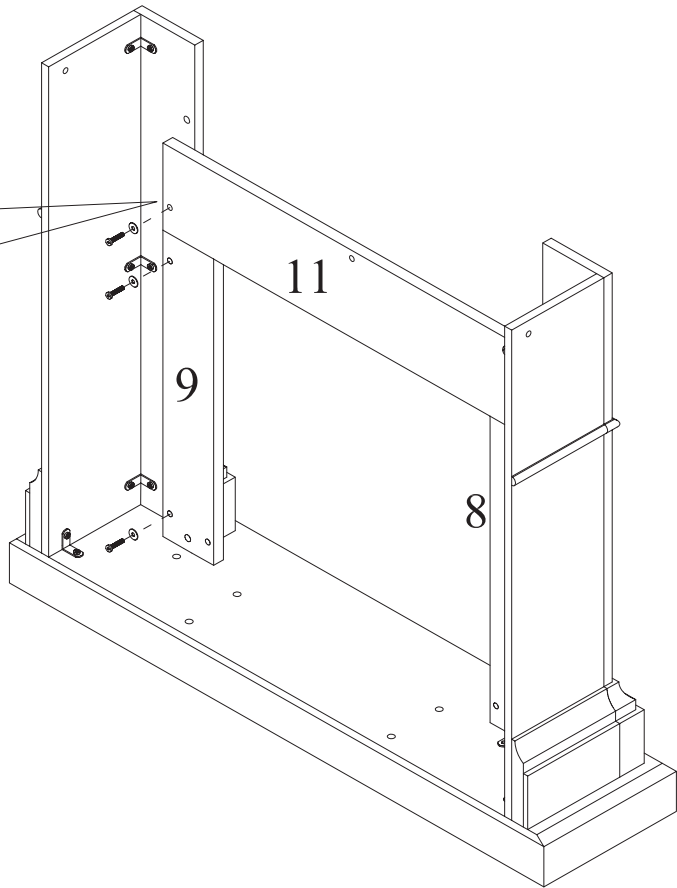
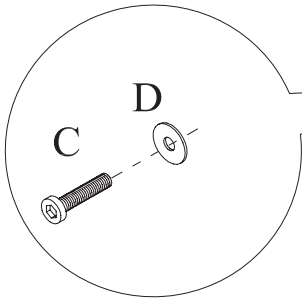
x16

B



x 8

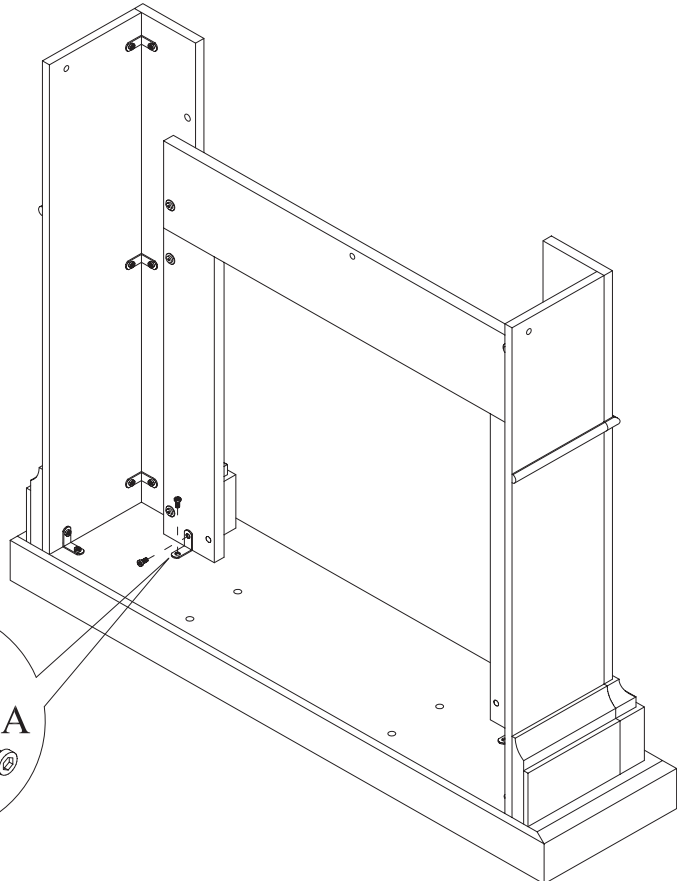
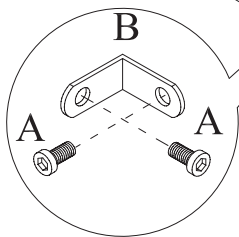
3



C
Ø6 x 28mm
x 6

D
x 6

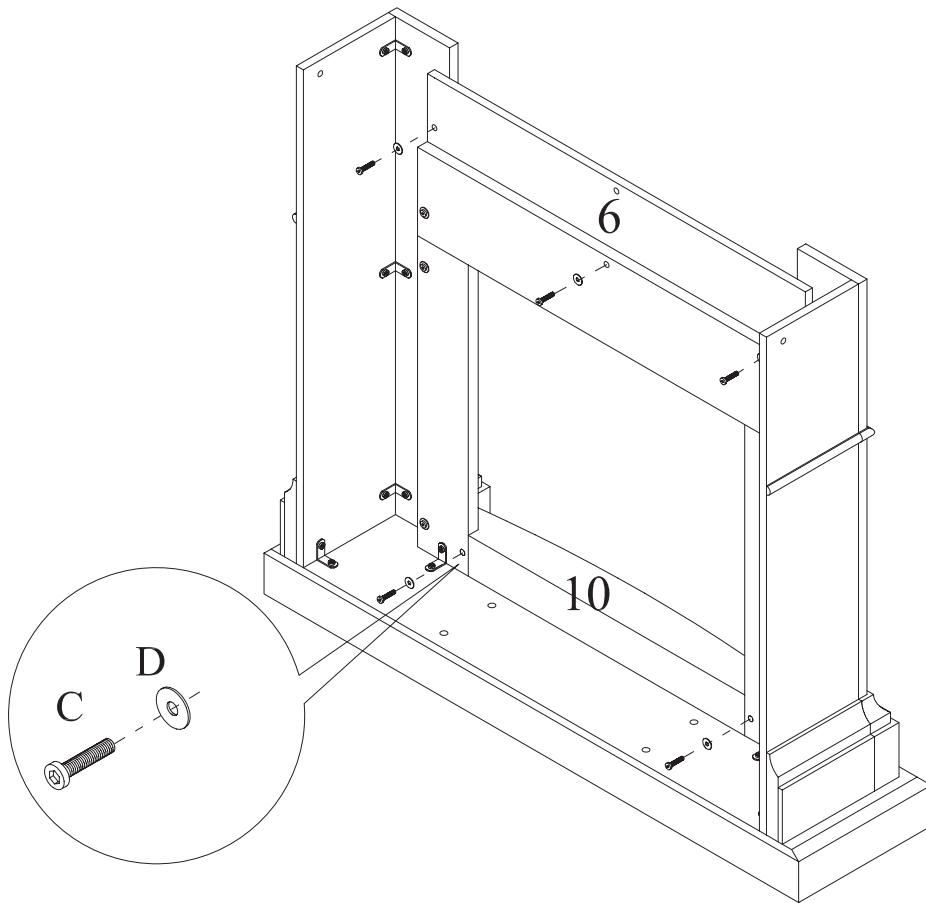
4



A
Ø6 x 12mm
x 4

B
x 2

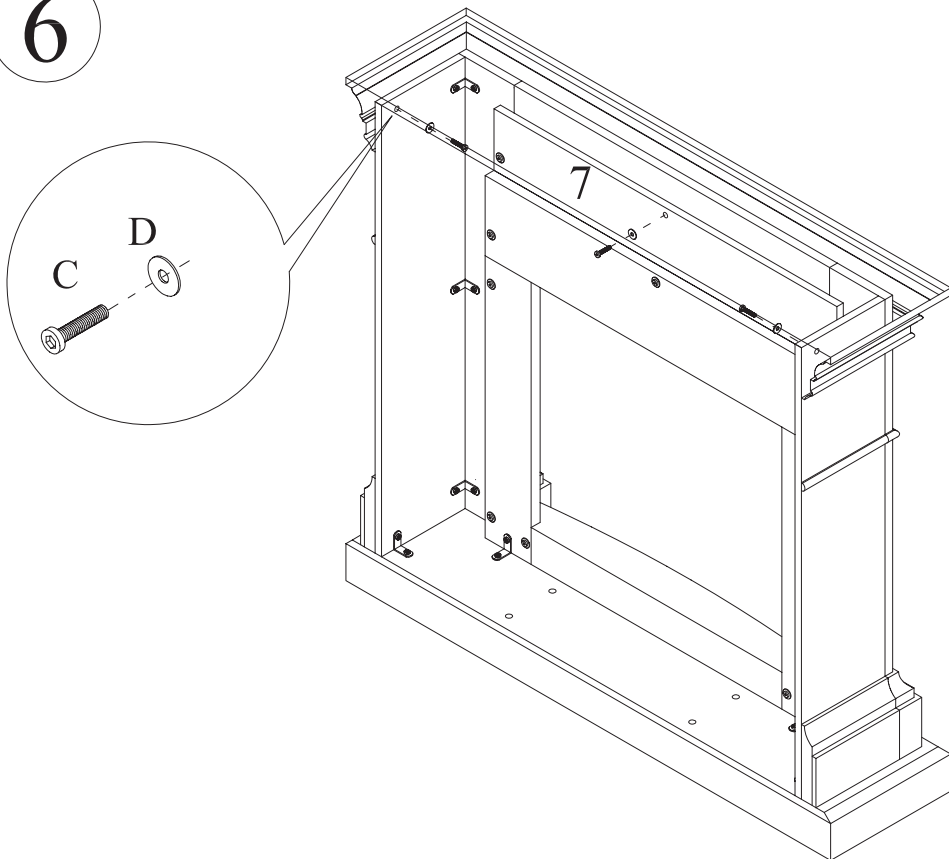
5



C
Ø6 x 28mm
x 5

D
x 5

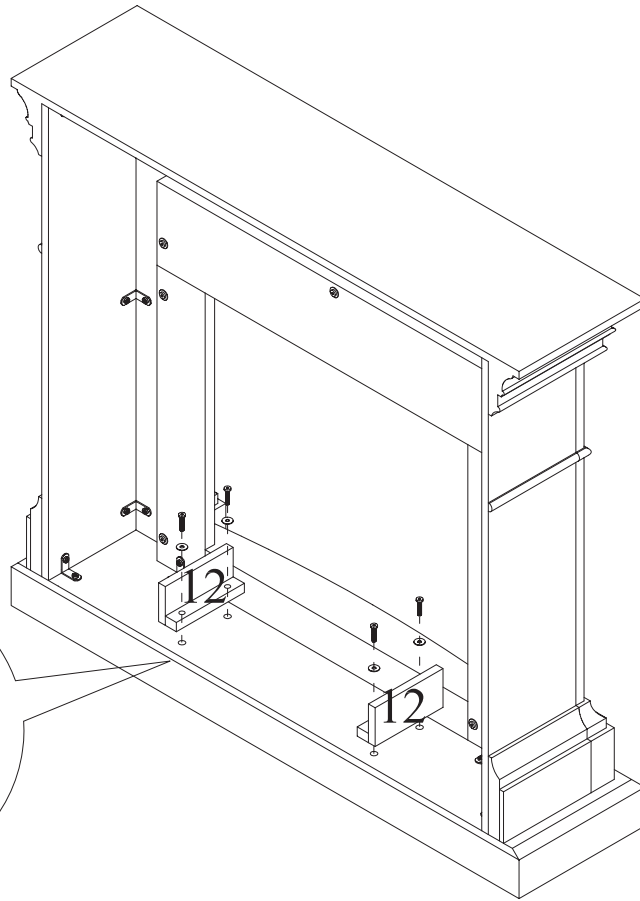
6



C
Ø6 x 28mm
x 3

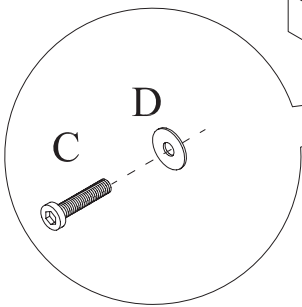
D
x 3

7

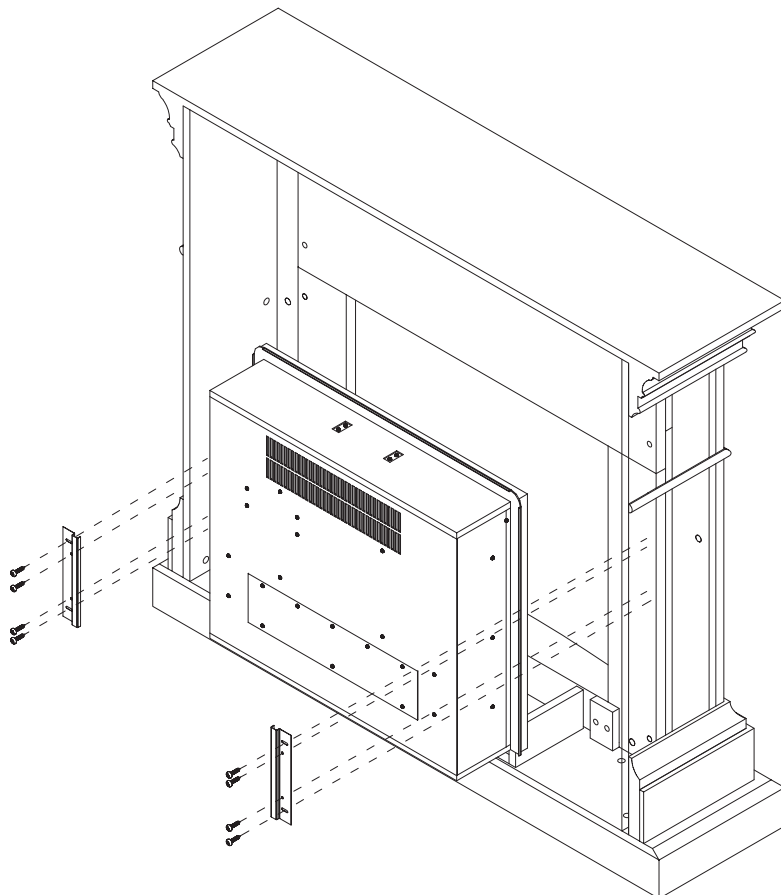


C
Ø6 x 28mm
x 4

D
x 4



8



TAGU
the missing piece