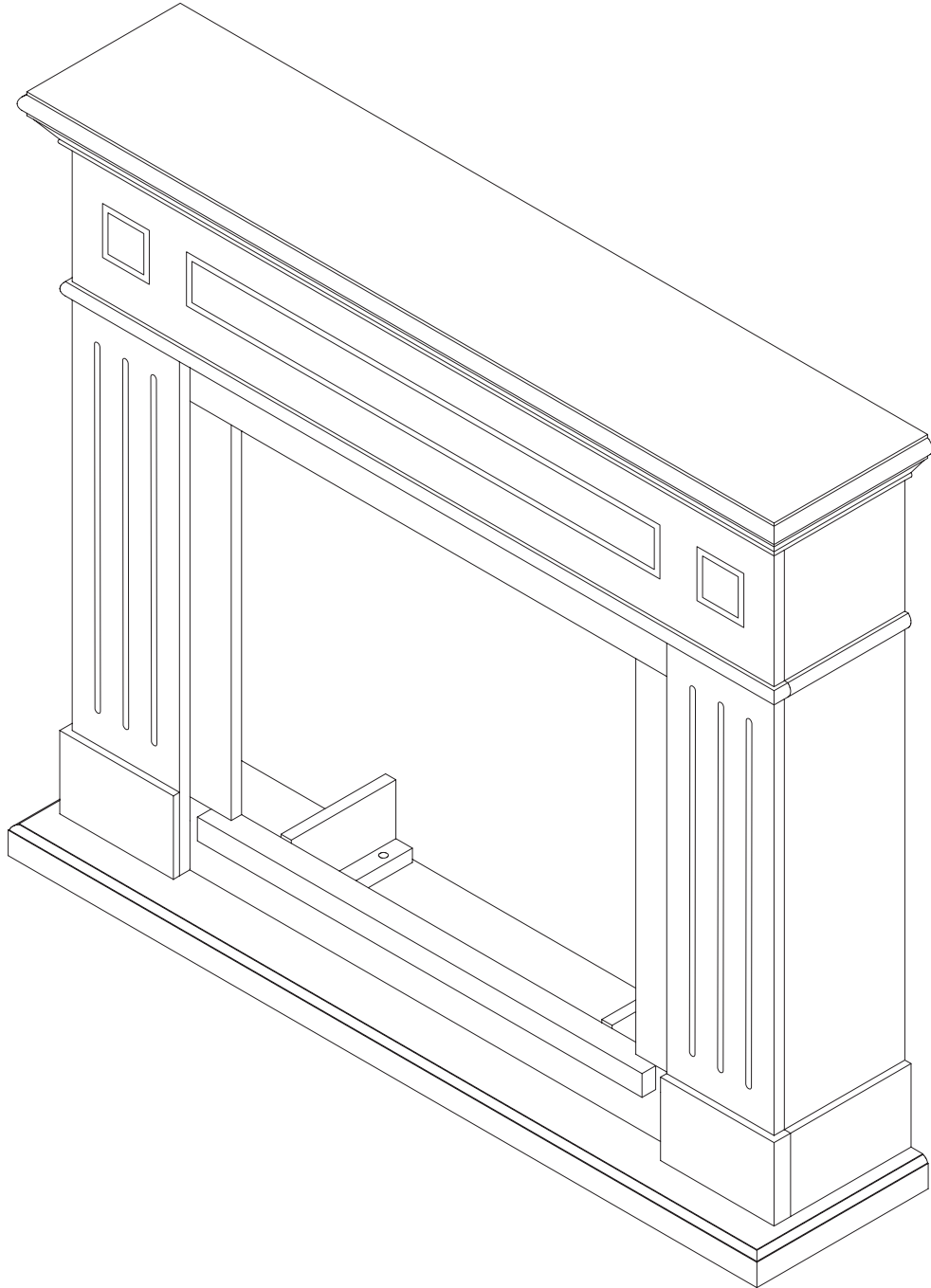
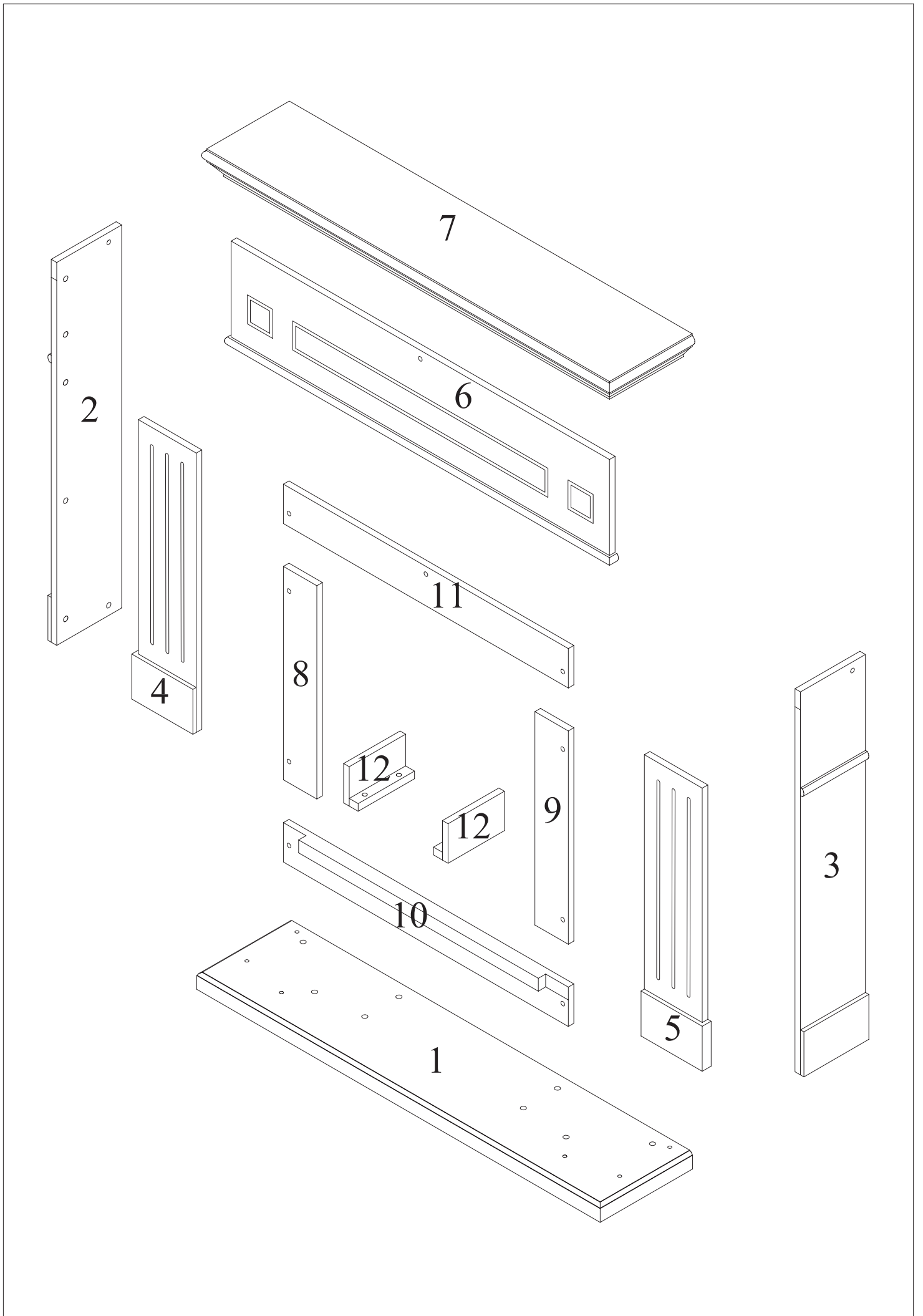
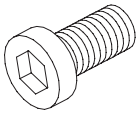
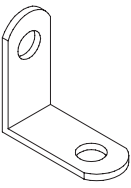
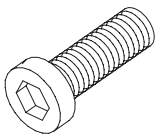
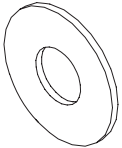
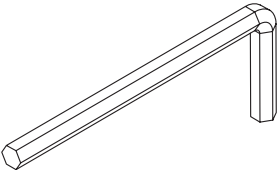
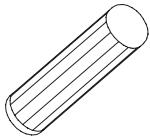


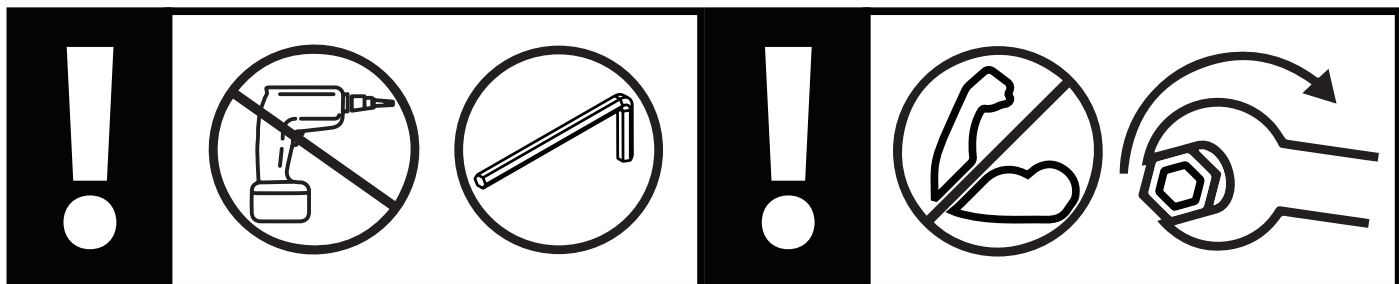
LARSEN

FM462

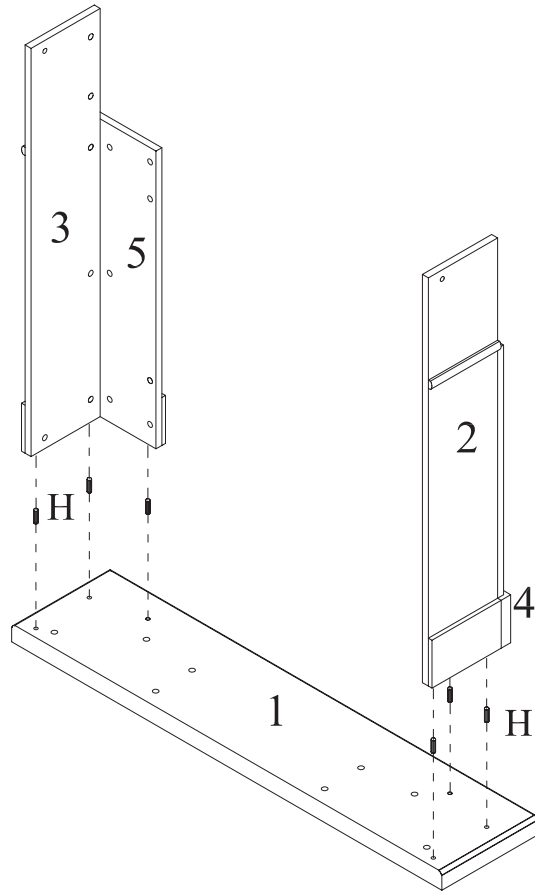




<p>A</p>  <p>Ø6 x 12mm x28</p>	<p>B</p>  <p>x 14</p>	<p>C</p>  <p>Ø6 x 28mm x 16</p>
<p>D</p>  <p>x 16</p>	<p>E</p>  <p>x 1</p>	<p>H</p>  <p>Ø8 x 30mm x 6</p>



1



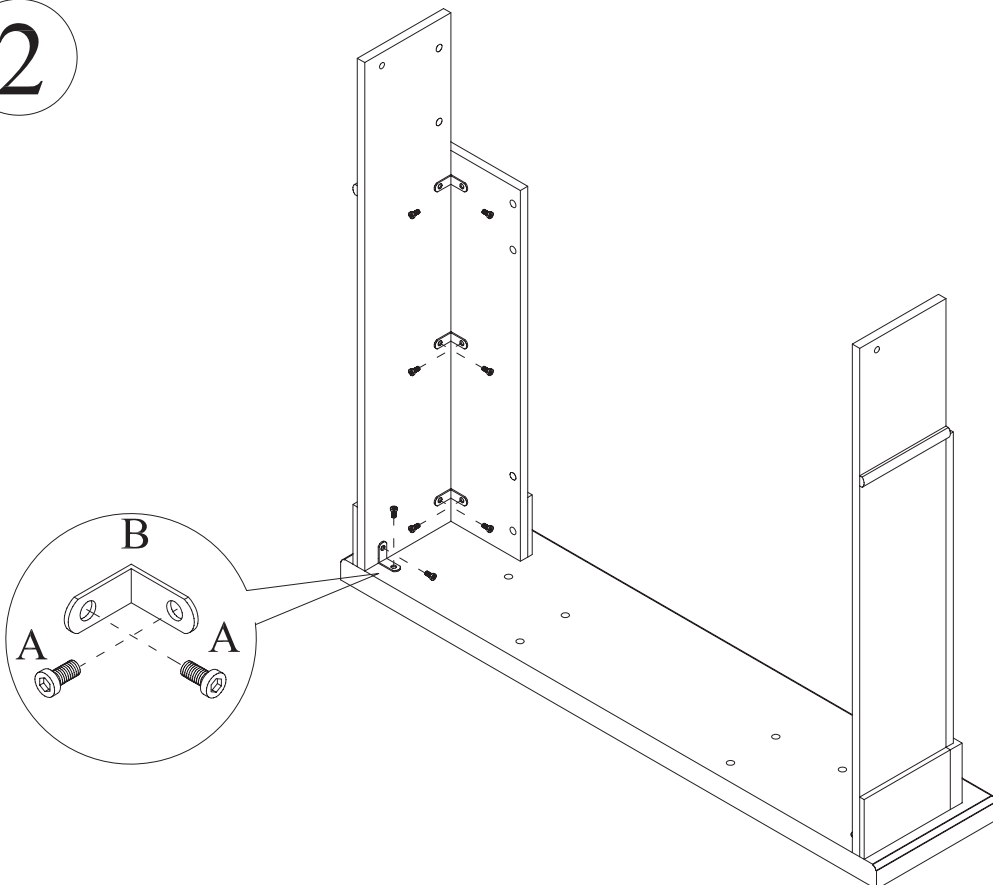
H



Ø8 x 30mm

x 6

2



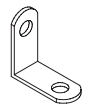
A



Ø6 x 12mm

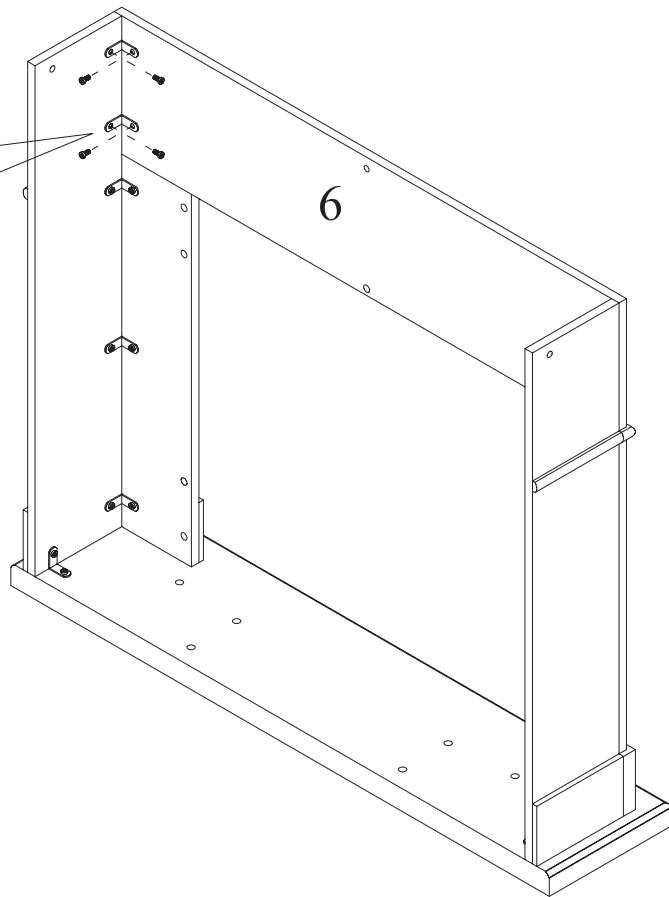
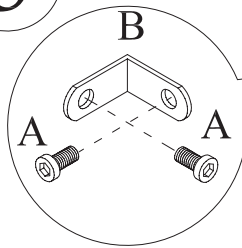
x 16

B



x 8

3



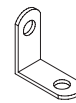
A



Ø6 x 12mm

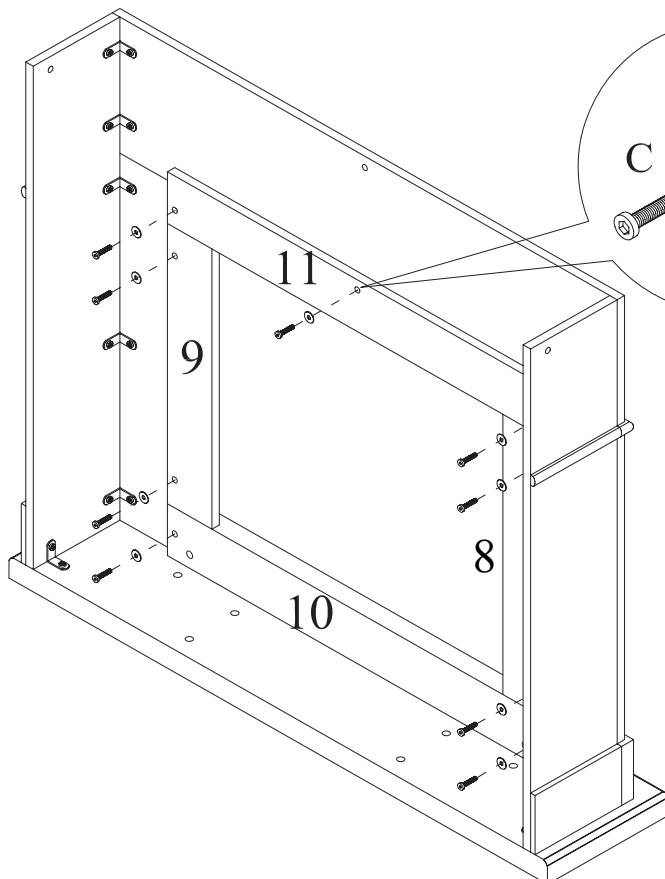
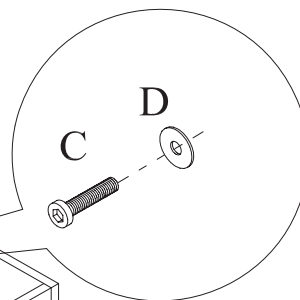
x8

B



x4

4



C



Ø6 x 28mm

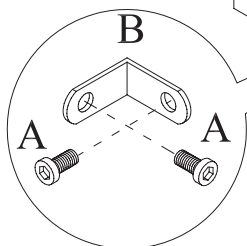
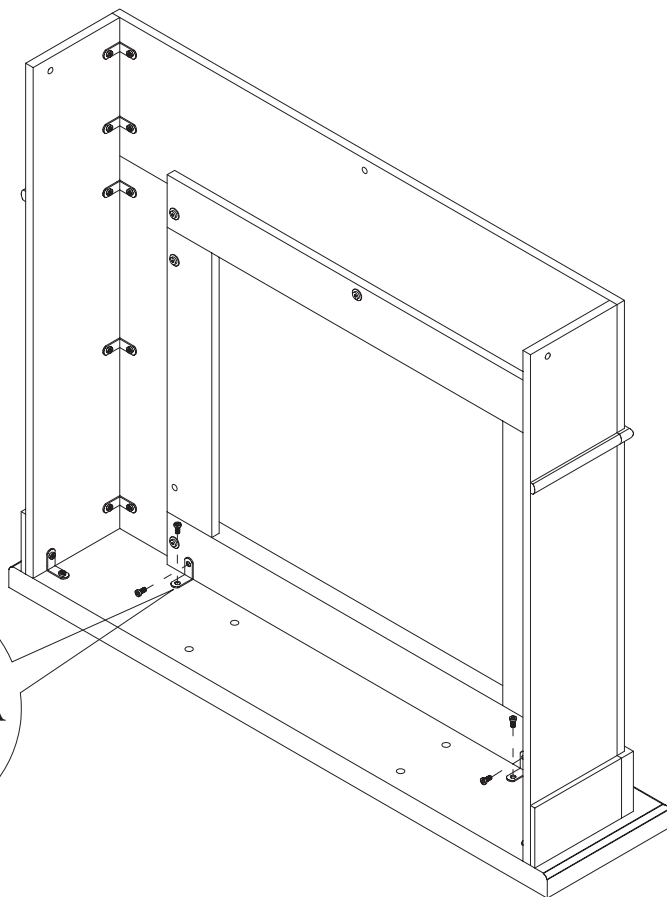
x9

D



x9

5



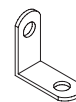
A



Ø6 x 12mm

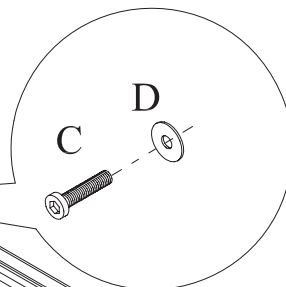
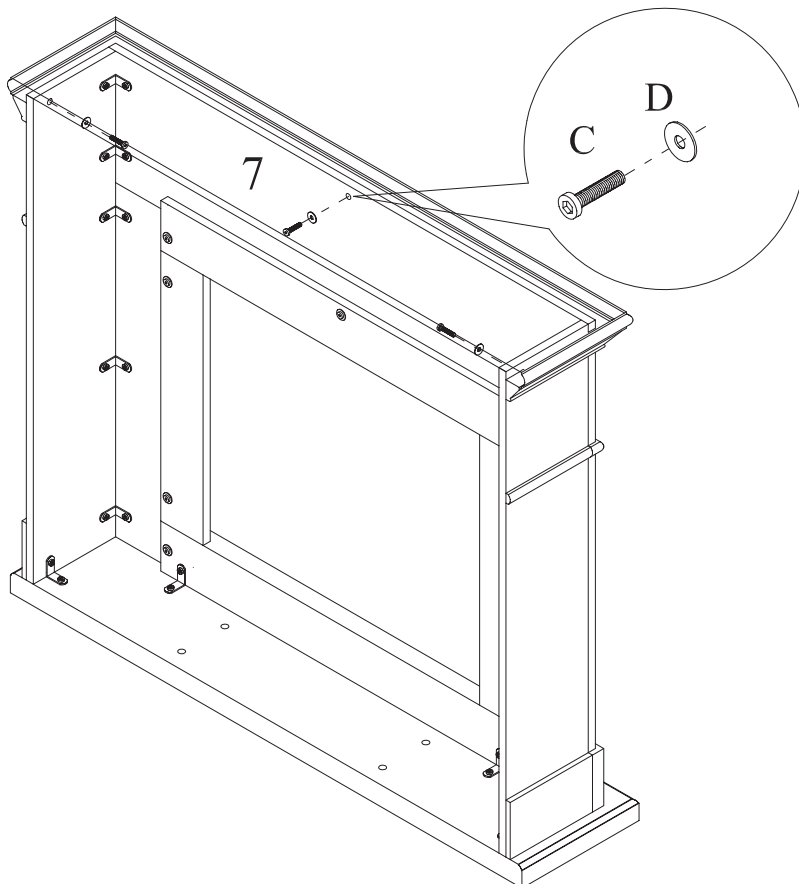
x4

B



x2

6



C



Ø6 x 28mm

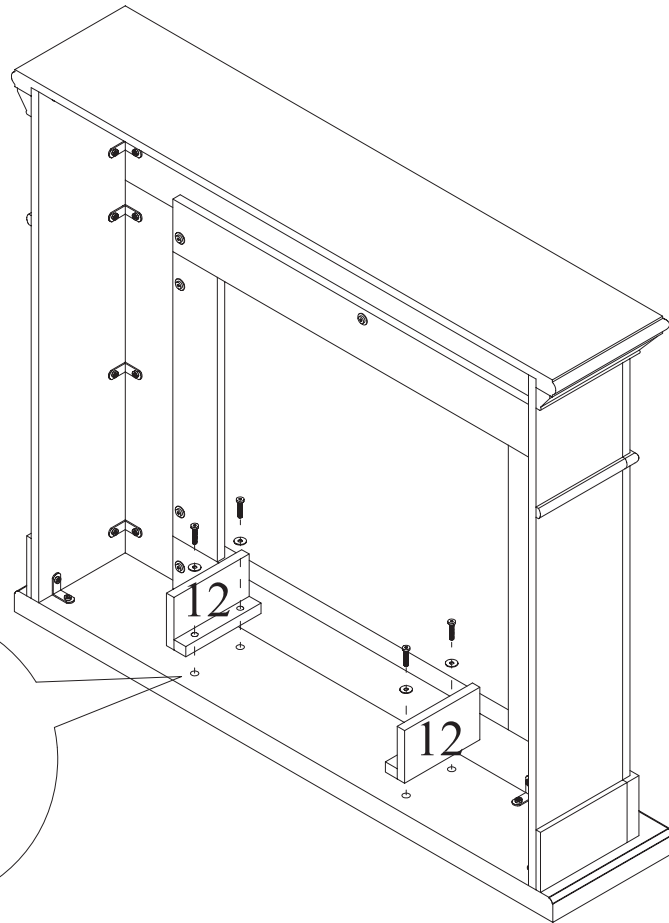
x3

D



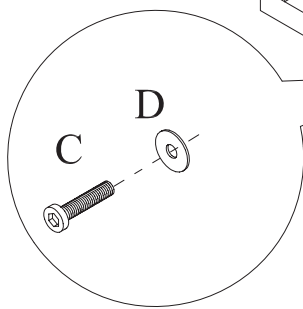
x3

7

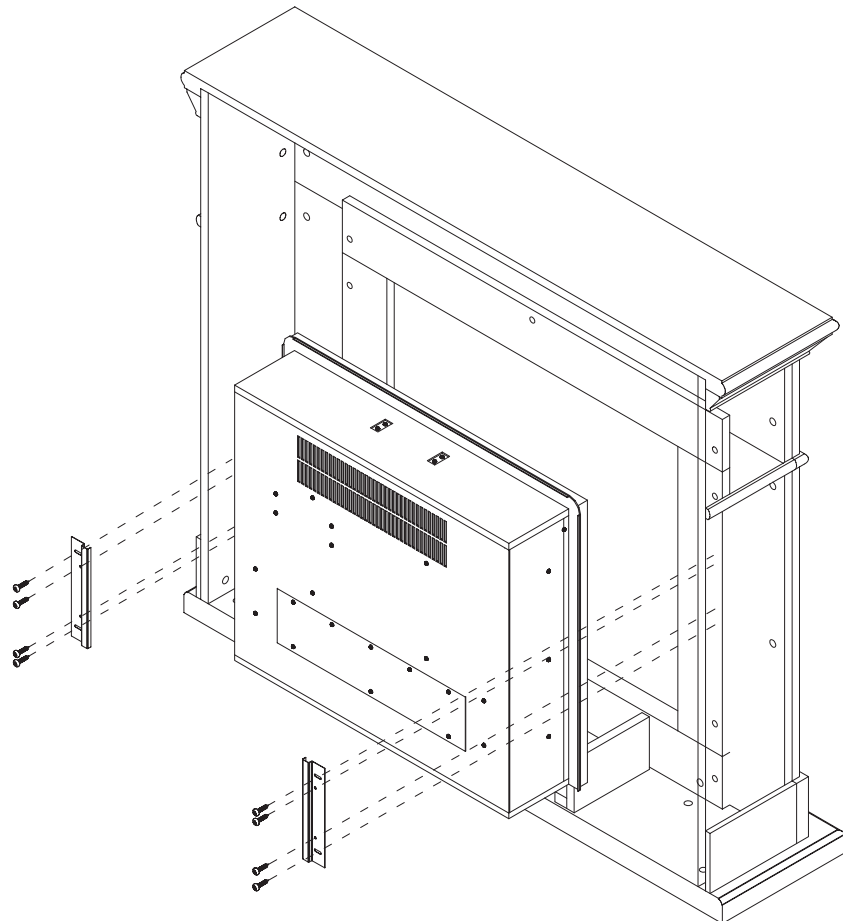


C
Ø6 x 28mm
x 4

D
x 4



8



TAGU
the missing piece