

MONTERINGSANVISNING

ASSEMBLY INSTRUCTIONS

MARIANNELUND MATSTOL

Art. Nr 19270-360



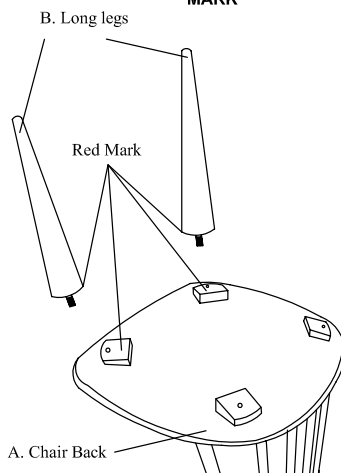
Assembly instructions | Monteringsanvisning



No	Part List (Each Chair)	Qty
A	Chair Back	1
B	Long Legs	2
C	Short Legs	2

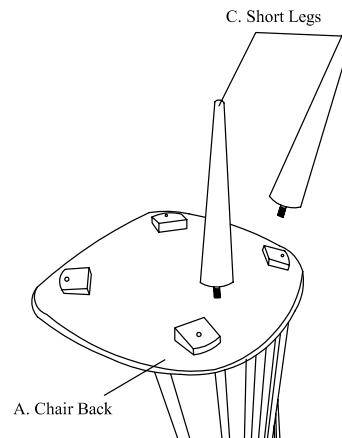
STEP 1

Position the chair back(A) into the bottom of chair seat. Tighten Long Legs(B) into holes on stretcher.
** Front Legs with **RED MARK** must face on **RED MARK**



STEP 2

Tighten Short Legs (C) into back Legs.



**CONGRATULATION !
YOUR CHAIR IS NOW READY FOR USE.**

** CHECK TIGHTNESS OF ALL SCREW EVERY 6-8 WEEKS TO ENSURE SCREW IS TIGHTEN ACCORDINGLY.