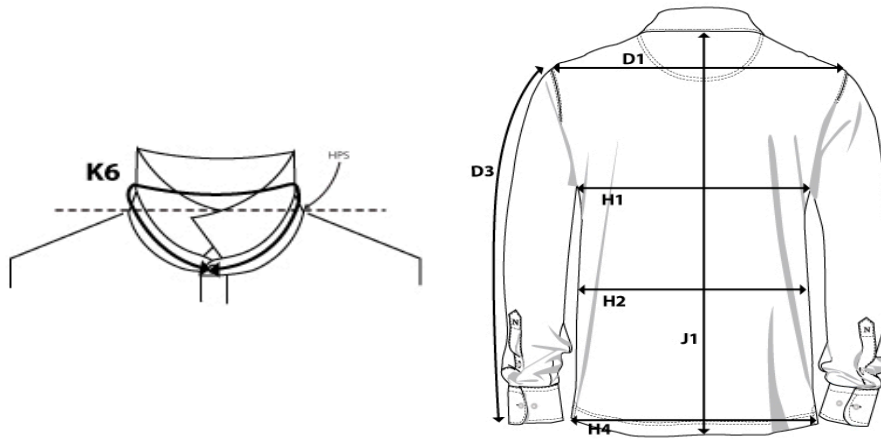
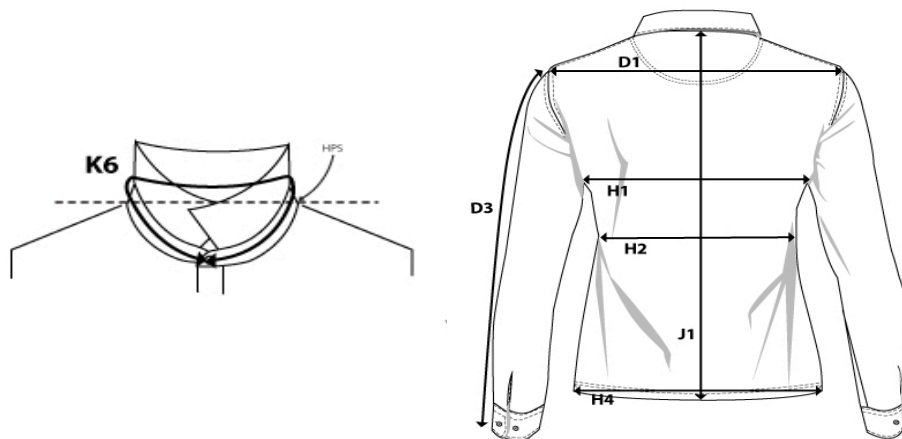


SIZE AND FIT: CARLINGTON



**CARLINGTON Mens**

Base size: <b>M</b> / Measurement (in cm)	Diagram	S	M	L	XL	XXL	3XL	4XL
SHOULDER TO SHOULDER	D1	42	<b>43,5</b>	45	46,5	48	49,5	51
SLEEVE LENGTH - from shoulder seam	D3	66	<b>67</b>	68	69	70	71	71
CHEST WIDTH at armhole	H1	47	<b>50</b>	53	56	59	62	65
WAIST	H2	46	<b>49</b>	52	55	58	61	64
BOTTOM WIDTH	H4	46	<b>49</b>	52	55	58	61	64
FULL LENGTH at centre back	J1	68	<b>70</b>	72	74	76	78	78
NECKLINE CF to CF	K6	38	<b>40</b>	42	44	46	48	50



**CARLINGTON Ladies**

Base size: <b>M</b> / Measurement (in cm)	Diagram	XS	S	M	L	XL	XXL	3XL
SHOULDER TO SHOULDER	D1	34	35	<b>36</b>	37	38	39	40
SLEEVE LENGTH - from shoulder seam	D3	59	60	<b>61</b>	62	63	64	65
CHEST WIDTH at armhole	H1	39	42	<b>45</b>	48	51	55	59
WAIST	H2	35	38	<b>41</b>	44	47	52	56
BOTTOM WIDTH	H4	39	42	<b>45</b>	48	51	55	59
FULL LENGTH at centre back	J1	62	64	<b>66</b>	68	70	72	74
NECKLINE CF TO CF	K6	36	37	<b>38</b>	39	40	41	42



SIZE GUIDE

**LADIES**

CM

	EN / UK / US <b>XS / 8 / 4</b>	EN / UK / US <b>S / 10 / 6</b>	EN / UK / US <b>M / 12 / 8</b>	EN / UK / US <b>L / 14 / 10</b>	EN / UK / US <b>XL / 16 / 12</b>	EN / UK / US <b>2XL / 18 / 14</b>	EN / UK / US <b>3XL / 20 / 16</b>
CHEST	75-80	81-86	87-92	93-98	99-104	105-111	112-118
WAIST	59-64	65-70	71-76	77-82	83-88	89-95	96-103
HIP	83-88	89-94	96-101	102-107	108-113	114-120	121-127

**MENS**

CM

	EN / UK + US <b>S</b>	EN / UK + US <b>M</b>	EN / UK + US <b>L</b>	EN / UK + US <b>XL</b>	EN / UK + US <b>2XL</b>	EN / UK + US <b>3XL</b>	EN / UK + US <b>4XL</b>
NECK	37/38	39/40	41/42	43/44	45/46	47/48	49/50
CHEST	90-95	96-101	102-107	108-113	114-119	120-125	126-131
WAIST	76-81	82-87	88-93	94-99	100-105	106-111	112-117
HIP	92-97	98-103	104-109	110-115	116-121	122-127	128-133

HOW TO MEASURE

