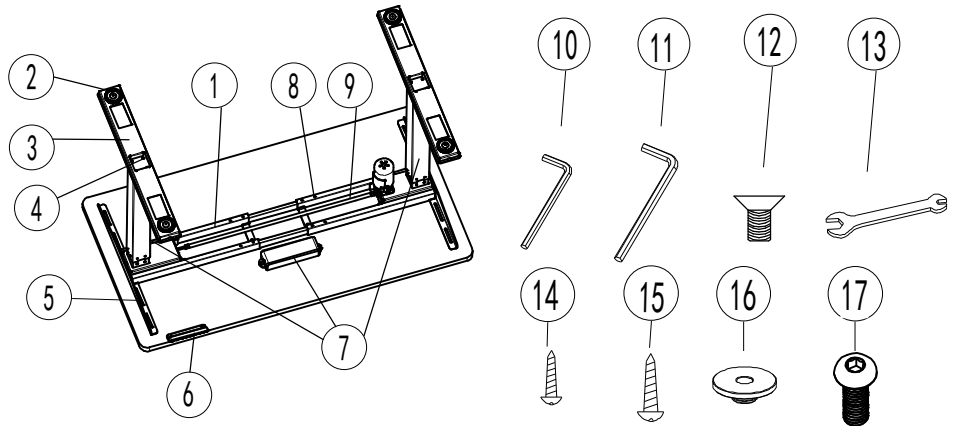


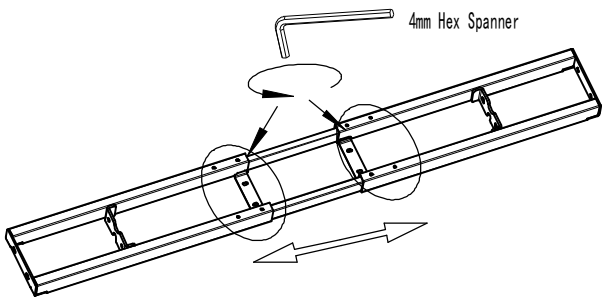
# Assembly Instructions

Parts and Tools list

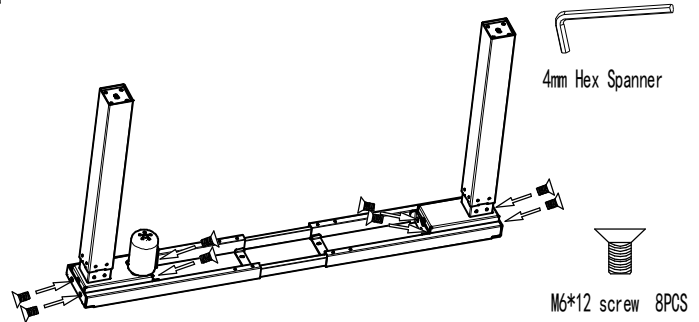
NO.	Name	Qty	NO.	Name	Qty
1	Support Beam	1	11	5mm Hex Spanner	1
2	Foot Pad	4	12	M6*12 Screw	12
3	Foot Margin	2	13	Spanner	1
4	M8*16 Screw	8	14	ST3.5*19 Screw	2
5	Bracket	2	15	ST4.8*19 Screw	14
6	Hand controller	1	16	Rubber Cushion	12
7	Lifting System	1set	17	M6*16 Screw	4
8	M6*10 Screw	8			
9	Driveshaft	1set			
10	4mm Hex Spanner	1			



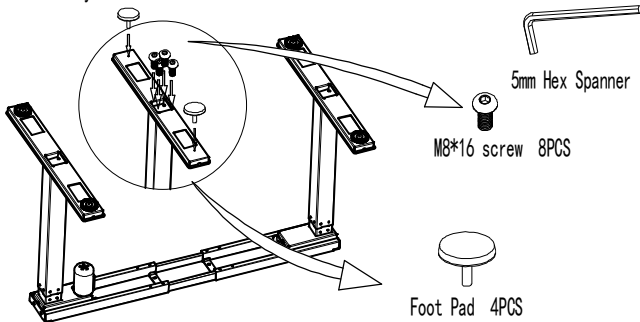
**1** Loosen the 4 screws of beam using 4MM hex spanner, adjust the beam to proper position to fit the desktop.



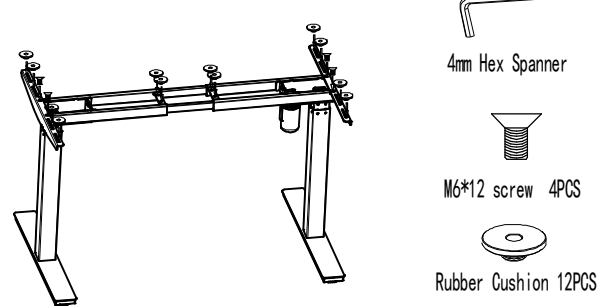
**2** Attach legs to the beam using 8 of M6\*12 screws.



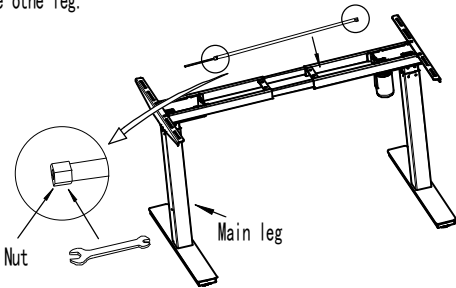
**3** Attach feet to the legs using 8 of M8\*16 screws, attach the 4 of levelling foot pads to the feet by hand



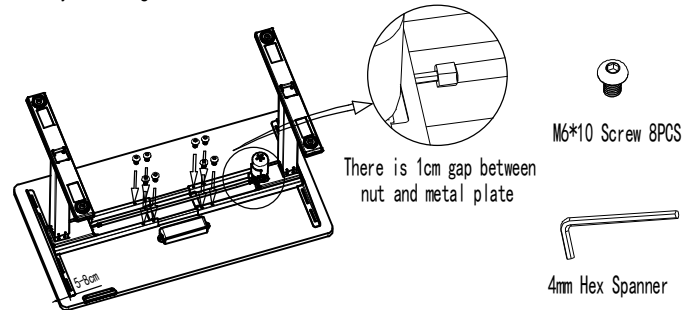
**4** Overturn frame and attach brackets to beam using 4 of M6\*12 screws and fit the rubber cushions to the brackets and beams



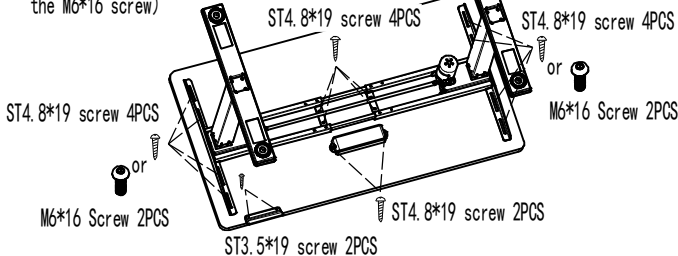
**5** Loosen nut on each end of the transmission rod using spanner, connect the hex rod of main leg to one end of the transmission rod and the hex rod of transmission rod insert to the other leg.



**6** Overturn frame put on the table, distance from frame to table should be keep the same (usually 5-8cm) tighten the screws on the beam and transmission rod



**7** Attach to the underside of the desktop using 12 of ST4.8 screws, and control box to the underside of desktop using 2 of ST4.8 screws, attach handset to the underside of desktop using 2 of ST3.5 screw. (you can use the self tapping screw or in case of inserts use the M6\*16 screw)



**8** Connect the control box to the handset and to the motor

