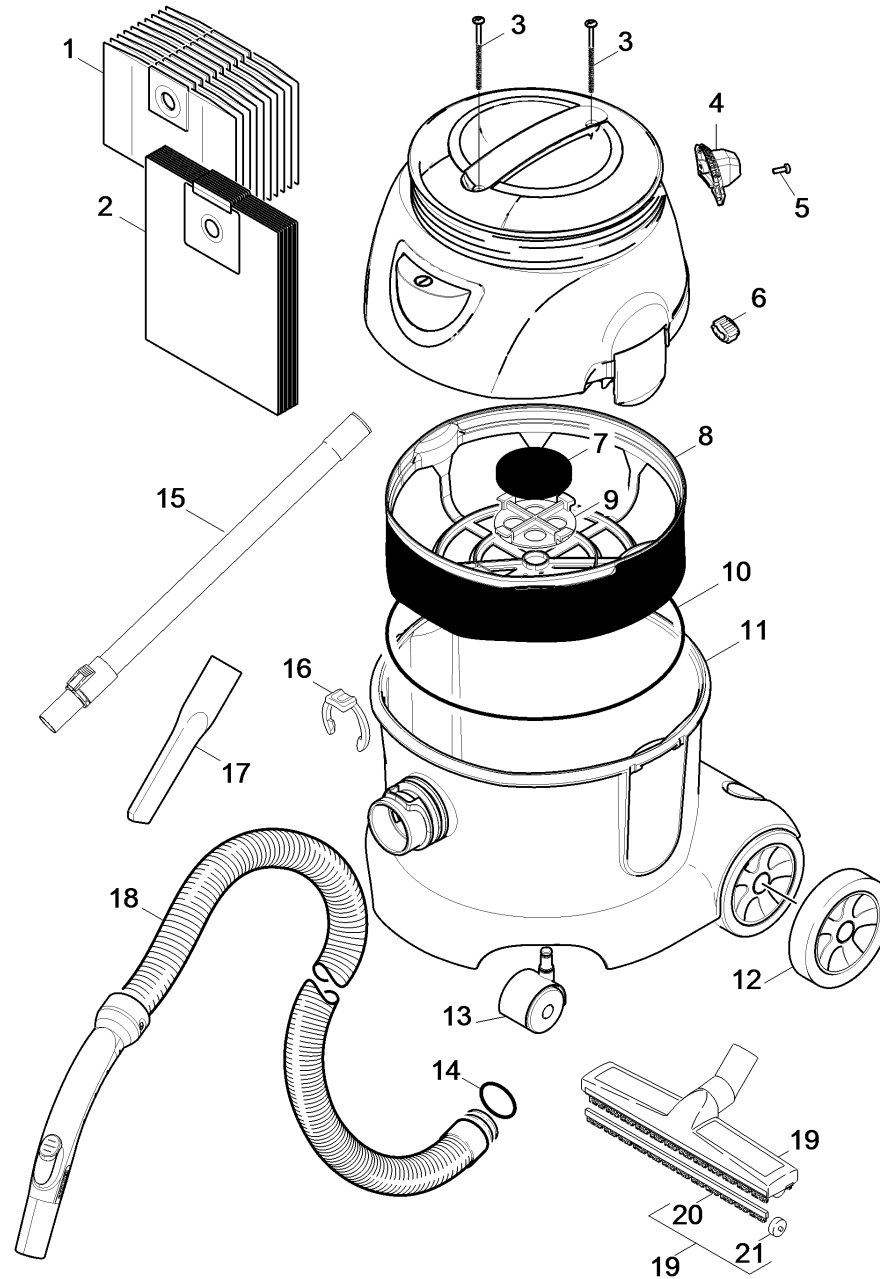


20 Short spare parts list (1.527-157.3)

Professional \ Vacuum cleaner \ Dry vacuum cleaner \ T 10/1 Adv *EU \ Short spare parts list



20 Short spare parts list (1.527-157.3)

Professional \ Vacuum cleaner \ Dry vacuum cleaner \ T 10/1 Adv *EU \ Short spare parts list



POS	Article no.	Description	Quantity	Unit	Foot note text
1	6.904-333.0	Paper filtering bag 10 St. Kärcher	1.000	ST	
2	6.904-315.0	Filter bag fleece	1.000	ST	
3	7.303-155.0	Screw 5x100-A2-70 (IN6RD)	2.000	ST	
4	5.043-066.0	Holder plug qusty grey RAL 7037	1.000	ST	
5	7.303-058.0	Countersunk screw M5x12 -St-A2R (In6Rd)	1.000	ST	
6	5.033-928.0	Plug fixing RAL 1018	1.000	ST	
7	6.414-611.0	Filter 5 St.	1.000	ZSA	
8	5.731-649.0	Filtering basket packaged	1.000	ST	
9	5.032-674.0	Grate filter motor protecting	1.000	ST	
10	6.273-261.0	Seal string cellular rubber D6 850 +/-5	1.000	ST	electrically conducting
11	4.070-800.0	Tank complete	1.000	ST	
12	4.515-257.0	Wheel complete T 7/1	1.000	ST	
13	2.889-003.0	Set castor	1.000	ST	
14	6.363-182.0	O-Ring seal 30,2 x 3,0	1.000	ST	
15	6.903-524.0	Telescopic suction tube	1.000	ST	
16	5.031-703.0	Tension ring C35	1.000	ST	
17	6.903-403.0	Crevice nozzle DN32	1.000	ST	
18	4.440-907.0	Suction hose with elbow antistatic	1.000	ST	ANTISTATIC
19	6.906-064.0	Parquet nozzle DN 32 (RAL 7012)	1.000	ST	
20	6.905-878.0	Brush strips set only for replacement	1.000	ST	
21	4.515-342.0	Roller complete with axle	2.000	ST	